

HOLD | BOOTSY



BOOTSY

If neck and shoulder pain are getting you down, it's time to groove on up to a more comfortable way to work.

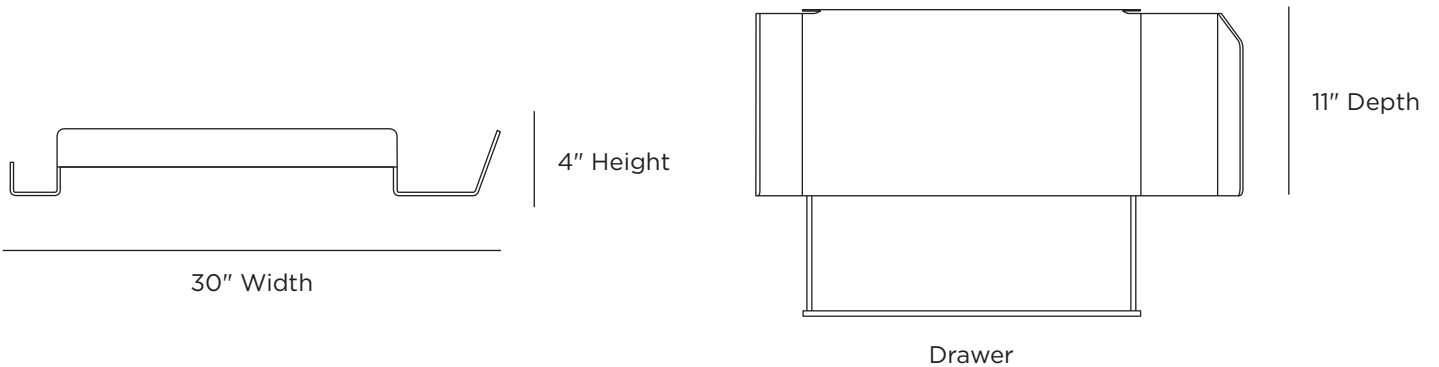


BOOTSY

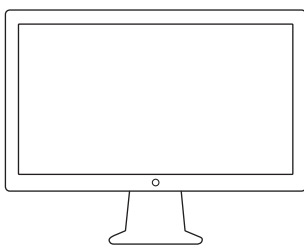
Heavy-gauge steel provides the lift your monitor needs to raise it to eye level, improving your posture for a more comfortable day's work.

- 4" x 11" x 30" platform provides a sturdy base to support most monitors.
- Additional troughs on each side offer space for sticky notes or reading glasses.
- Built-in drawer keeps small items like pens, earbuds, or paperclips corralled.

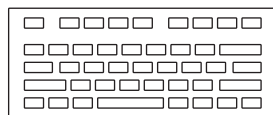
DIMENSIONS



BOOTSY CAN FIT...



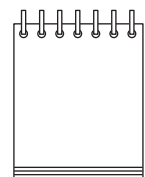
Monitor



Keyboard



Mouse



Notepad

BOOTSY WORKSHEET

For each step, choose your option and write the corresponding code in the grey box at the right. If you plan to choose custom colors or materials, please contact your rep instead of completing this sheet.

<div style="display: flex; align-items: center;"> <div style="border: 1px solid black; border-radius: 50%; width: 40px; height: 40px; display: flex; align-items: center; justify-content: center; margin-right: 10px;">1</div> <div> <h2 style="margin: 0;">DIMENSIONS</h2> <p style="margin: 5px 0 0 0;">For Step 1, we've already listed the price in the grey box.</p> </div> </div>	HEIGHT, WIDTH, DEPTH	LIST PRICE	
	4" x 30" x 11"	\$338.06	
		B	
	\$338.06		
<div style="display: flex; align-items: center;"> <div style="border: 1px solid black; border-radius: 50%; width: 40px; height: 40px; display: flex; align-items: center; justify-content: center; margin-right: 10px;">2</div> <div> <h2 style="margin: 0;">COLOR</h2> <p style="margin: 5px 0 0 0;">Stands can be finished in 22 standard colors, including a clear coat that lets the natural material show through. Pick your favorite and write the code in the grey box.</p> </div> </div>	COLOR	CODE	
	Red	M1	
	Orange	M2	
	Yellow	M3	
	Blue	M4	
	Green	M5	
	Inter Red	M6	
	Safety Orange	M7	
	Western Tan	M8	
	Slate Blue	M9	
	Forest Green	M10	
	Dark Brown	M11	
	Graphite	M12	
	Sandstone	M13	
	Light Tan	M14	
	Clear	M15	
	Black	M16	
	Astro Grey	M17	
	Artic White	M18	
	Frame Grey	M19	
	Platinum Grey	M20	
	Champagne Metallic	M21	
	Battleship Grey	M22	
		A	
	CODE		
ITEM NUMBER	NAME	A	To complete your order, please transfer the codes from your worksheet to this section.
	BT		
TOTAL		GRAND TOTAL	
_____	x	_____	=
B		QUANTITY	
		\$ _____	